

# ***Energizer®***



**GARDEN PRUNING HEAD FOR  
ECOMOTION MULTIFUNCTION BASE  
ECO8  
USER GUIDE**

**CAUTION:** Read this manual before using this unit!










# ***Energizer***®

©2022 Energizer. Energizer and certain graphic designs are trademarks of Energizer Brands, LLC and related subsidiaries and are used under license by Builder SAS. All other brand names are trademarks of their respective owners. Neither Builder SAS nor Energizer Brands, LLC is affiliated with the respective owners of their trademarks.

## **Let's get started.**

You're excited to power up, so we'll keep this brief!

**⚠ WARNING: All safety instructions and technical data are included in the manual for ECOMOTION multifunction tool, please read it before using this unit!**

	Warning symbol.		Always use chain saw two-handed.
	Read instructions manual.		Beware of chain saw kickback and avoid contact with bar tip.
	Wear eye, ear and head protection.		Do not expose to rain.
	Wear respiratory protection.		Guarantee sound power level.
	Wear protective gloves.		

### 1. PART DESCRIPTION:



- 1) Chain
- 2) Guide bar
- 3) Handle of the nut
- 4) Guard
- 5) Fitting joint
- 6) Sprocket cover

### 2. FITTING THE GARDEN PRUNING HEAD WITH ECOMOTION MULTIFUNCTION BASE

- 1) Push the sander head along the guide rail into the multifunction base. It locks into place audibly.
- 2) Allow the unlocking lever on base to slide back into position.
- 3) Check sander head is secure by pulling on it.

### 3. REMOVAL AND MOUNTING THE GUIDE BAR AND SAW CHAIN

The characteristics of the guide, chain and sprocket are listed in the parameter table.

Guide bar length	128mm
Chain pitch	6.35mm
Chain gauge	1.1mm
Drive links	25

**⚠ WARNING:**

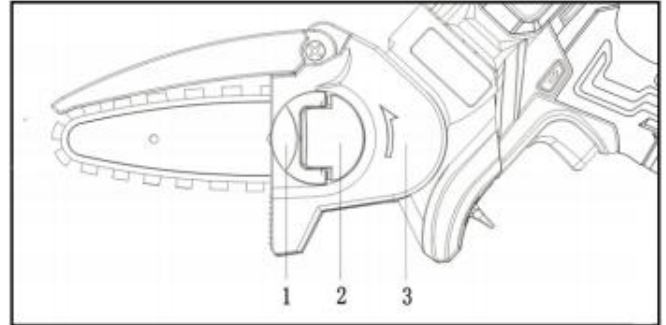
- To reduce the risk of unintended activation, take out the battery before attempting to remove or mount the guide bar and chain.

**⚠ WARNING:**

- The chain has many sharp cutters. If they contact your flesh, they will cut you, even if the chain is not moving.
- Always wear heavy-duty work gloves when handling the chain.

**1) Removing the guide bar and saw chain**

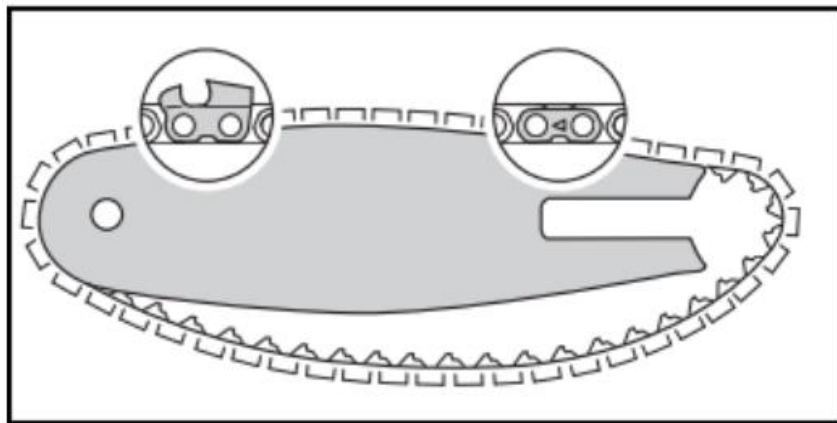
- a) Switch off the garden pruner.
- b) Remove the battery.
- c) Raise the handle (1) of the nut (2).
- d) Turn the nut counterclockwise until the chain sprocket cover (3) can be removed.
- e) Remove the chain sprocket cover.
- f) Remove the guide bar and chain.



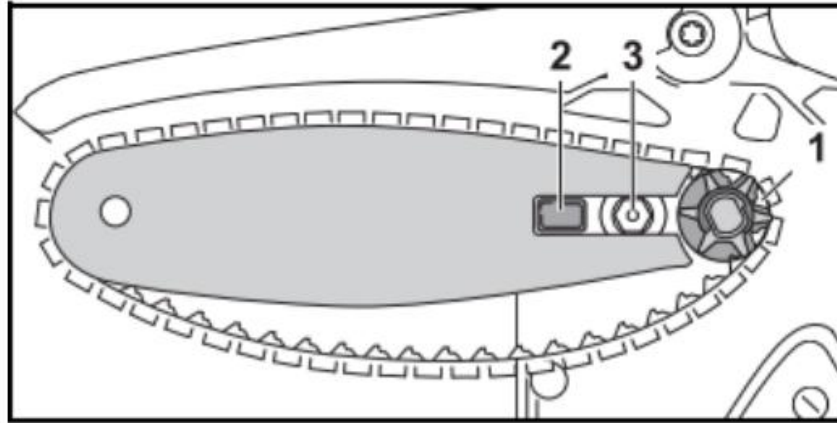
**NOTE:** The top and bottom of the guide bar are symmetrical, and the bar may be mounted with the printing facing up or down. Flipping the guide bar each time the chain is sharpened or changed will help reduce uneven wear and improve its service life.

**2) Mounting the Guide Bar and Chain**

- a) Switch off the garden pruner.
- b) Remove the battery.
- c) Remove the chain sprocket cover by turning the nut counterclockwise.



- d) Position the chain in the groove of the guide bar, starting at the tip.
- e) Make sure that the cutters in the groove on the top side of the guide bar face the tip of the bar. chains are manufactured with arrows on the tie straps to help the operator determine the proper direction of the chain. Arrows on the tie straps on the top of the bar must point toward the bar tip.



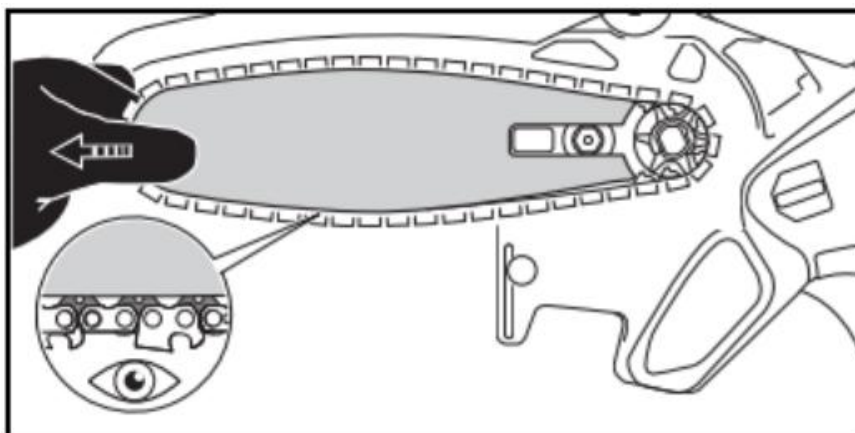
- f) Point the guide bar tip away from the chain sprocket (1).
- g) Place the chain around the chain sprocket.
- h) Slide the guide bar over the collar screw (3) and pin (2). The head of the collar screw must protrude into the oblong hole.
- i) Fit the sprocket cover on the garden pruner so that it is flush with the housing.
- j) Direct the drive links into the groove of the guide bar. The guide bar and chain must be firmly and securely mounted on the garden pruner.
- k) Tension the saw chain.
- l) Turn the nut clockwise until the chain sprocket cover is firmly attached to the garden pruner.
- m) Close the handle of the nut.

### 3) Tension the chain

#### **⚠ WARNING:**

To reduce the risk of severe personal injury from chain derailment, check chain tension frequently, At operating temperatures, the chain stretches and sags. New chain tends to stretch more than used chain. Tension the chain so that the drive links cannot come completely out of the groove on the underside of the guide bar.

- a) Switch off the garden pruner.
- b) Remove the battery.
- c) Raise the handle of the wing nut.
- d) Turn the nut counterclockwise until the chain is loose.

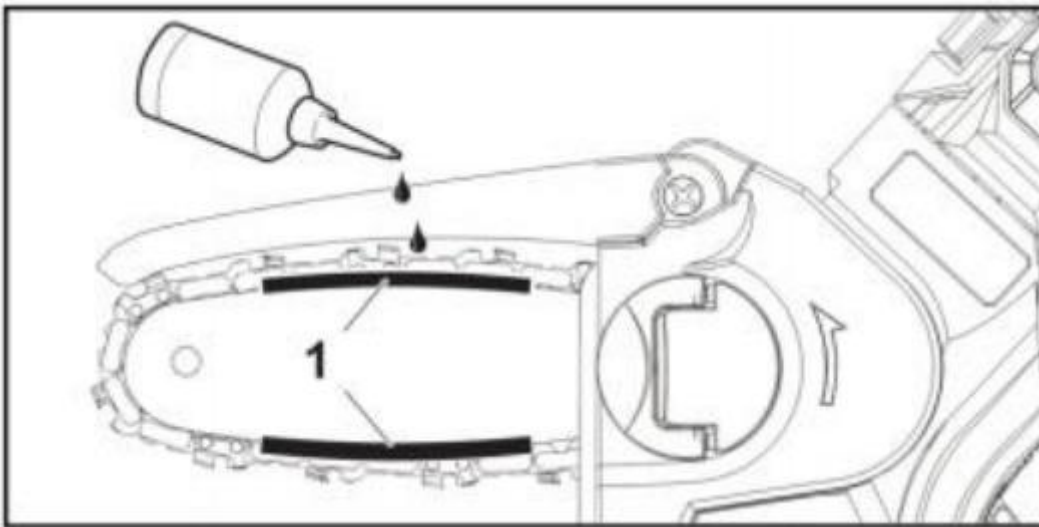


- e) Pull the guide bar to tighten the chain.  
The chain is properly adjusted when the drive links are half inserted into the groove at the underside of the guide bar. Always wear gloves when handling the chain. Tighten the nut by hand to secure the chain sprocket cover.

- f) If the chain cannot be moved easily with low force along the guide bar, it is too tight.
- Turn the nut counterclockwise twice or until the chain is loose.
  - Reduce the tension by pushing the guide bar in the direction of the chain sprocket until the chain can move freely along the guide bar.
  - Ensure that the drive links remain in the groove and are half inserted into the groove at the underside of the guide bar.
- g) Once the chain is properly tensioned, tighten the wingnut by hand to secure the chain sprocket cover.

#### 4) Chain oil can lubricate and cool the chain

- a) Turn off the chain saw and remove the battery pack.
- b) Place the chain saw flat on a flat surface with the sprocket cover facing up.
- c) Use a soft brush or resin solvent to clean the guide plate and saw chain.
- d) Apply multifunctional lubricant to the area (1) between the guide plate and the saw chain.



## 4. OPERATION

### **⚠ WARNING:**

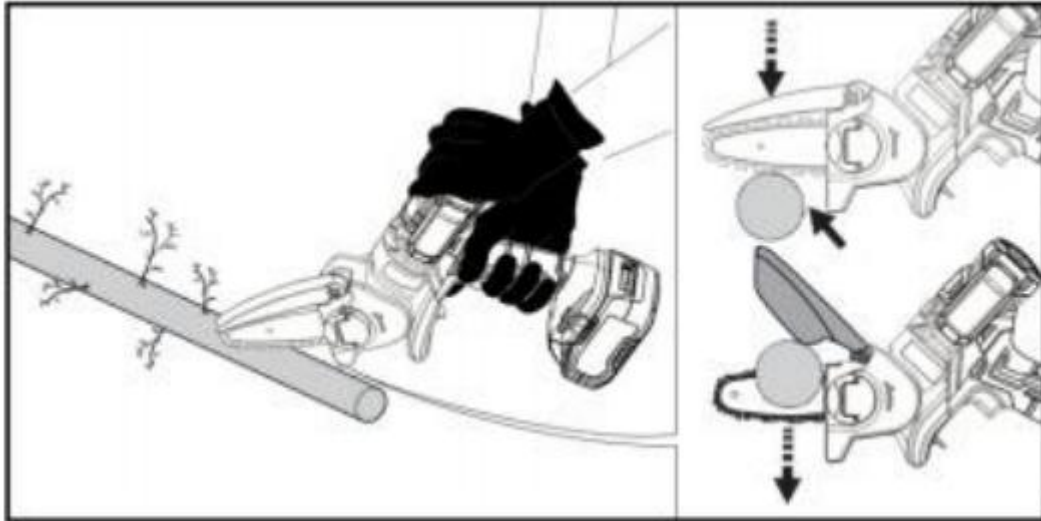
To reduce the risk of serious or fatal injuries to the operator or bystanders, keep hands, feet and other parts of the body away from the saw chain. Do not touch the saw chain while the battery is inserted into the garden pruner. Never touch the rotating saw chain with your hand or any part of your body.

### **⚠ WARNING:**

Never hold the material to be cut or attempt to remove cut material without first releasing the trigger switch and removing the battery. Release the trigger switch and remove the battery before clearing jammed material.

### **⚠ WARNING:**

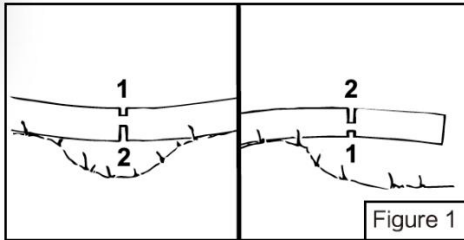
To reduce the risk of personal injury, never work with the garden pruner in the rain or in wet or damp conditions. Always wear proper clothing and protective apparel, including proper eye protection. Work carefully and maintain proper control of the garden pruner. The garden pruner is designed for two-handed operation.



## 1) Precautions for cutting

- In some specific cases, the operator may not focus on the work, the operator may trip, fall and cause serious injury.
  - a) Keep calm and work in a planned way.
  - b) Do not use chain saw in dim and low visibility environment.
  - c) Please operate your own chain saw.
  - d) Do not operate the chain saw higher than your shoulder.
  - e) Watch out for obstacles.
  - f) When operating the chain saw, please stand in a safe position and keep balance. If you need to work at height, use a lift or a safe scaffold.
- The running saw chain may hurt the user. Please do not touch the moving saw chain. Otherwise, the user may be seriously injured.
- If the saw chain cannot effectively cool down and re tension, the saw chain may jump out of the guide plate and lead to breakage. These can lead to serious injury and property damage.
  - a) Ensure that the saw chain is lubricated properly.
  - b) Please check whether the tension of the saw chain is proper during operation. If the saw chain is loose, adjust it in time.
- If the chain saw starts abnormally or runs abnormally in the work, the chain may be in an unsafe state, which may lead to serious personal injury or property loss. Stop working immediately and contact the dealer.
- The chain saw will vibrate when it is running.
  - a) Please wear gloves.
  - b) Stop and rest in time.
  - c) Consult your doctor if you are in poor health.
- If the running saw chain touches a hard object, it will produce sparks. Sparks can cause fire in combustible environment, which can cause serious injury and property loss. Do not use chain saw in combustible environment.
- When the trigger is released, the chain saw will run for a period of time. It is necessary to wait for the chain saw to stop completely, otherwise it may cause serious injury.
- If the chain saw is used with the tree tensioned, the guide plate may get stuck. Users will lose control of the chain saw, resulting in serious injury. (Figure 1)





First cut a force relief groove from the tight side (1), and then cut it into the loose side (2).

## 2) Precautions for pruning

- If the branches under the fallen tree are pruned first, the trunk will not be supported by the branches. Trees can roll, causing serious or fatal injuries.
  - a) Turn the main pole over and trim the branches on it.
  - b) Do not stand on the log for pruning.

## 3) Precautions for logging

- Inexperienced personnel are not allowed to approach dangerous logging sites, otherwise serious or fatal personal injury and property damage may result. Please don't cut wood alone.
- Branches or other objects from a fallen tree may fall on an onlooker. May cause serious or fatal personal injury and property damage.
  - a) Judge the direction of the tree so that it can fall smoothly.
  - b) Bystanders, children and animals are not allowed to stay within 2.5 Tree lengths.
  - c) Observe the crown of the tree and the crown of the adjacent tree to ensure that there is no interference from the branches when the crown falls.
- When the tree falls, the trunk may break or spring towards the operator. May cause serious or fatal personal injury.
  - a) Plan your escape route around you.
  - b) Observe the direction of the fallen tree and escape to the planned escape route.
  - c) Don't go uphill.
- Obstacles in the workplace or escape route will hinder the escape. People fleeing may fall, causing serious or fatal injury.
  - a) Clear the work area and escape route.
- If there is a fixed hinge or stable rope on the trunk, the tree may fall uncontrollably and prematurely, which will cause serious or fatal injury and property loss to the operator.
  - a) Do not use hinges.
  - b) Finally, use the stabilizing rope.
  - c) If the tree falls ahead of time, please give up logging and follow the escape route.
- When cutting, if the head of the guide plate touches an object or the wood clamps and extrudes the chain, it may cause rebound. Sometimes, when the head of the guide plate touches an object, it will form a sudden reaction force, which will spring up the guide plate and rush to the operator, causing injury to the operator.
- If the direction of the tree falling is uncontrollable or falls on top of other trees, and the operator cannot complete the logging operation in a controllable way, the logging operation should be stopped and a suitable vehicle should be selected to pull down the tree with a rope.

#### 4) Operation of timber making

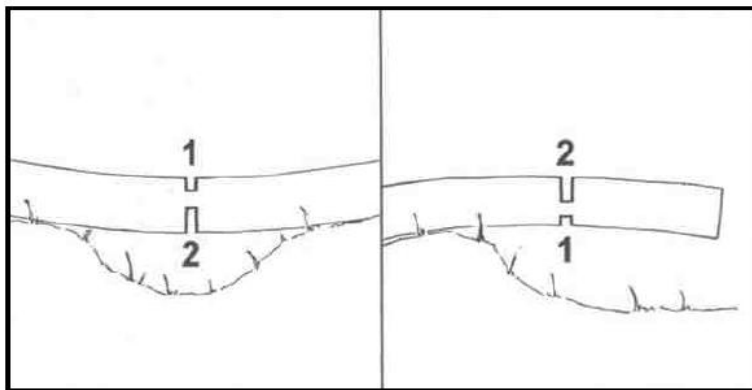
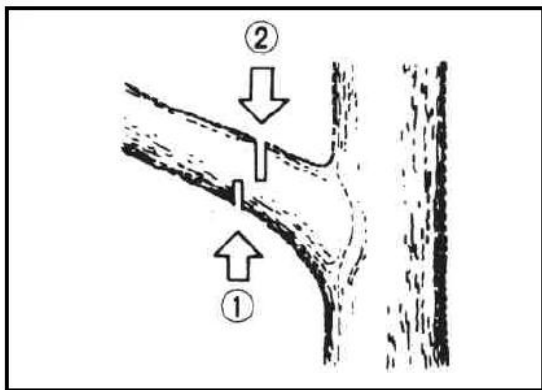
##### **⚠ WARNING:**

If the chain saw rebounds, the chain saw will spring to the operator. Can cause serious or fatal injury.

- a) When cutting, it is necessary to cut at full speed.
- b) Do not cut with the guide head.
- c) When cutting, keep the chain saw at full speed and the guide plate vertical.
- d) According to the width of the guide plate, the head of the guide plate shall expose the cut trees.
- e) Add the weight of the chain saw to the guide plate.

#### 5) Pruning of branches

- a) Put the chain saw guide on the branch to be pruned.
- b) Chain cutting at full speed.
- c) Cut the branch with the upper part of the guide plate.
- d) Cut the branch with tension: first cut a small opening (1) on the loose side, and cut continuously under the tension.



***Energizer***<sup>®</sup>